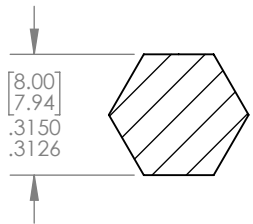
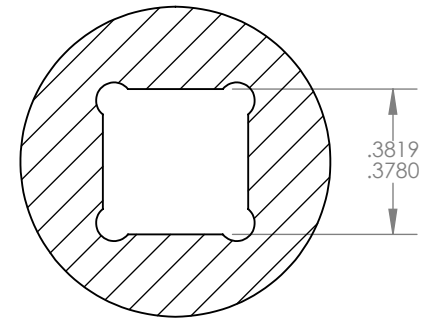
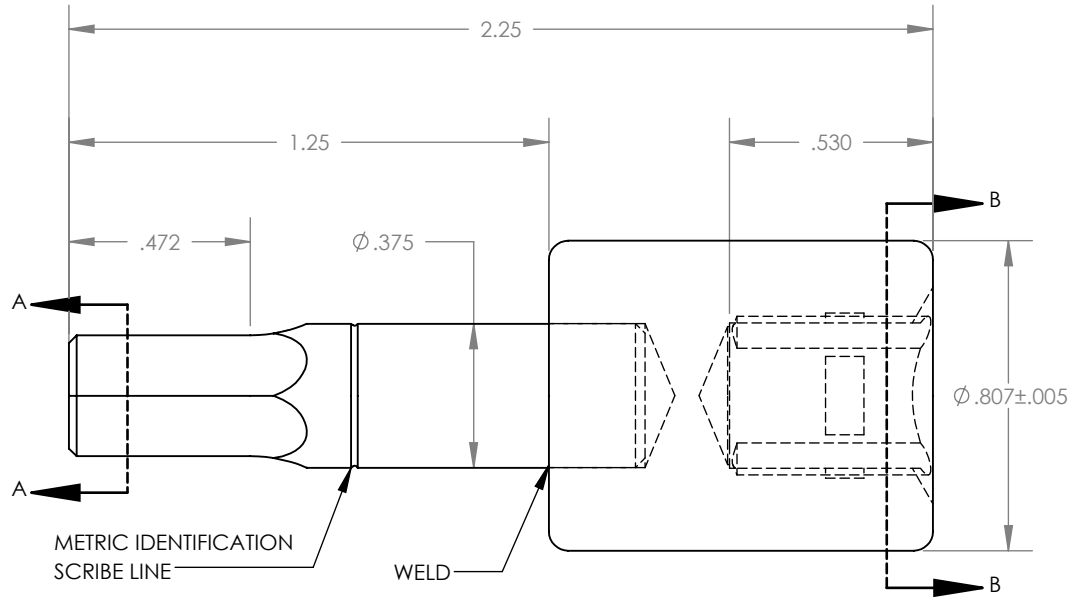


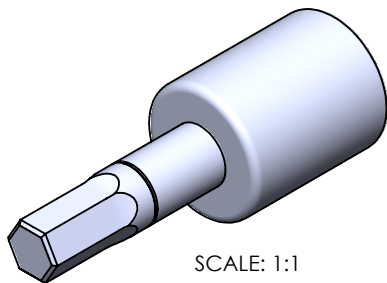
SCALE: 1:1



SECTION A-A
SCALE 2 : 1



SECTION B-B
SCALE 2 : 1



SCALE: 1:1

UNLESS OTHERWISE SPECIFIED: DIMENSIONS ARE IN INCHES			TOLERANCES: X.XX= ±0.13 X.XXX= ±0.015 X.XXXX= -0.0015		
DRAWN	NAME	SIGN	DATE		
APPVD	A.T.		07.15.19		
MATERIAL: SHAFT: 718 NON-MAGNETIC S.S. DRIVE BIT: 316 NON-MAGNETIC S.S.					TITLE: 8.0MM X 3/8" NON-MAGNETIC DRIVE BIT, 2.250" OAL
<i>THIS DRAWING IS THE PROPERTY OF STERITOOL, INC. ANY REPRODUCTIONS OR MODIFICATIONS OF THIS DRAWING OR ITS CONTENTS WITHOUT THE CONSENT OF STERITOOL, INC. IS PROHIBITED.</i>					PART NO. 40898
					SCALE: 2:1